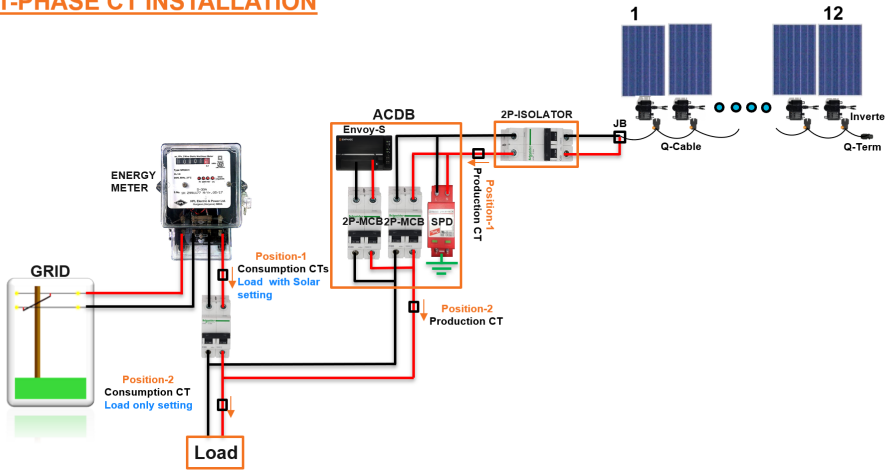
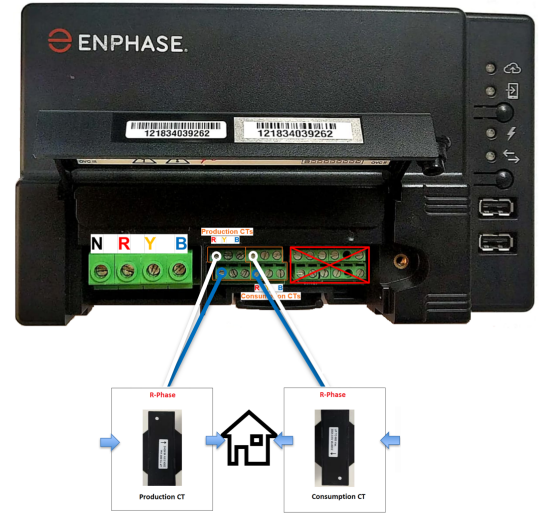


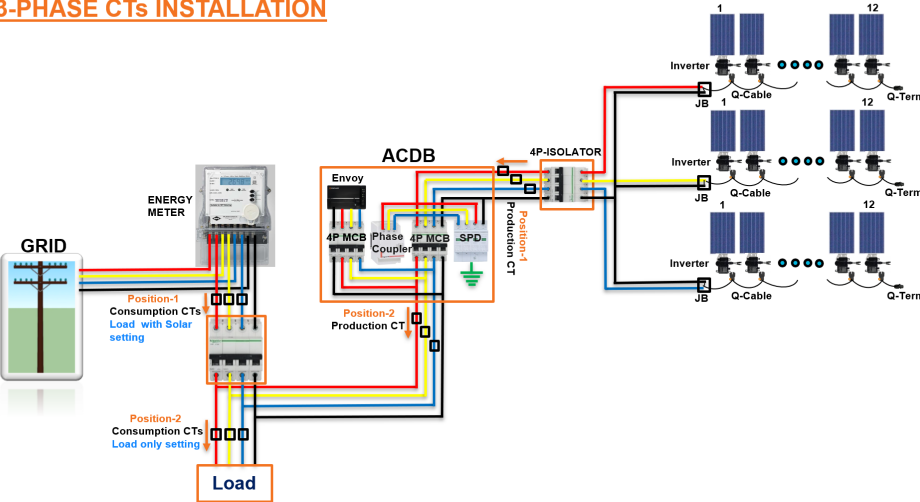
1-PHASE CT INSTALLATION



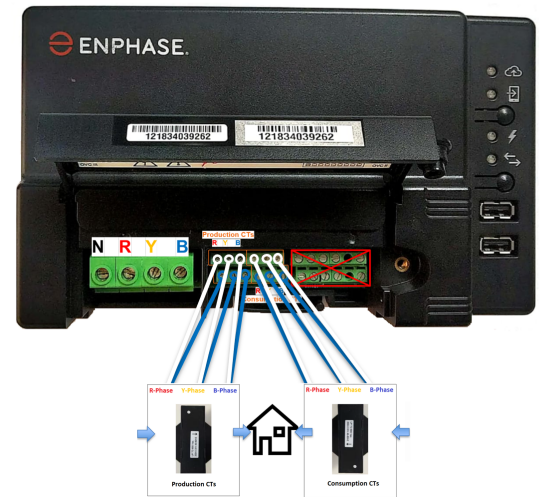
1-PHASE ENVOY & CTs CONNECTION



3-PHASE CTs INSTALLATION



3-PHASE ENVOY & CTs CONNECTION



Dos and Don'ts:

1. Production CT – To measure Solar PV generation : It must be placed either one way as indicated in schematic depend on site condition
2. Consumption CT – To measure the premises load : It must be placed either "Load only" or " Load with solar production = net consumption" as indicated in schematic depend on site condition .
3. Ensure to select the appropriate Meter Type (Load only or load with solar production) in Installer Toolkit App, while configuring Consumption CT's. If consumption CT's are placed at position-1 select "Load with Solar" , if position-2 select "Load only"
4. For 1-Phase systems - select only "L1" for both production and consumption in Installer Toolkit App, while configuring CT's.
5. For 3-phase system - select "L1+L2+L3" for both production and consumption in Installer Toolkit App, while configuring CT's.
6. CT has 2 wires coloured in white & blue ; Connect white wire in the upper side and blue wire in lower side of the envoy CT's connection point as indicated in CT's connection diagram. CTs must be wired correctly to measure correct readings – Wrong wiring results in wrong readings. Use appropriate cable marker to ensure and identify correct CT terminals.
7. Three-phase system required 3 production CT's and 3 consumption CT's .Total six CT's are required.
8. CT's Polarity (Arrow direction) to be installed in specific direction as indicated in schematic – Wrong direction results in wrong readings.
9. Enphase CT's had default cable length of 5m. To extend beyond 5m length ,chose appropriate cable size from 0.75 mm2 to 2.5 mm2 to meet extension length up to 120m
10. Twisted pair wires to be used for CT extensions. Appropriate cable joining/terminations to be followed to connect CT wires with extension wires
11. If three phase consumption to be monitored for 1 phase solar systems , 3 phase supply (L1,L2,L3,N) to be provided at Envoy input supply terminal. Enable "L1" in production CT configuration and Enable "L1+L2+L3" configuration for Consumption CT's configuration

Consumption CT Configuration Type

